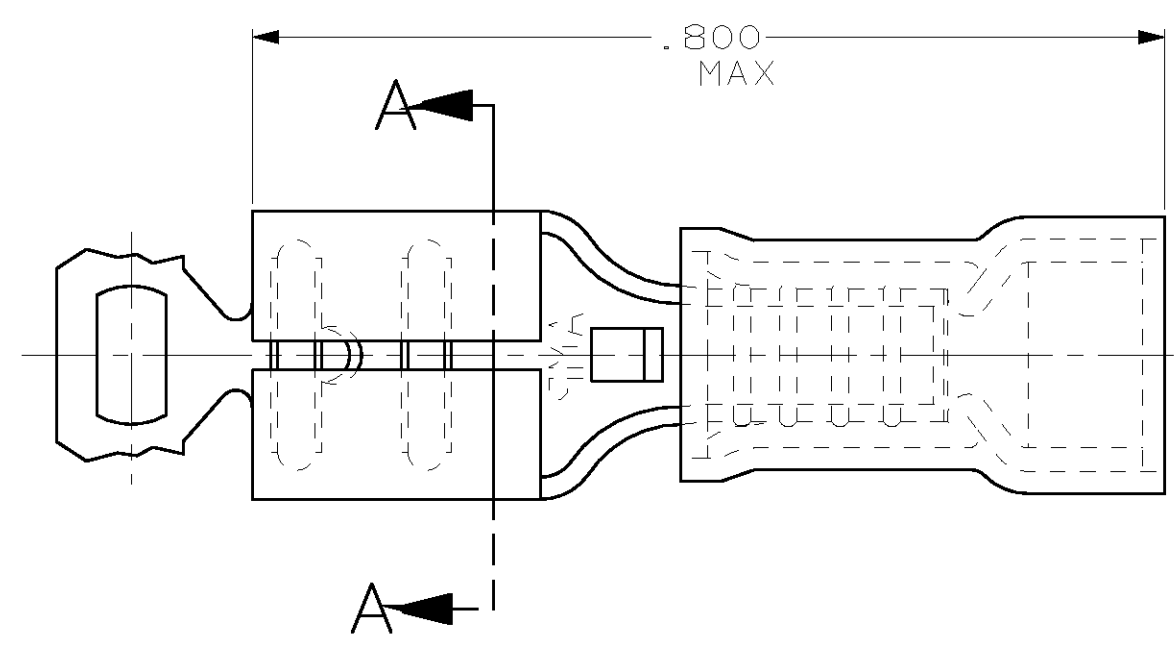
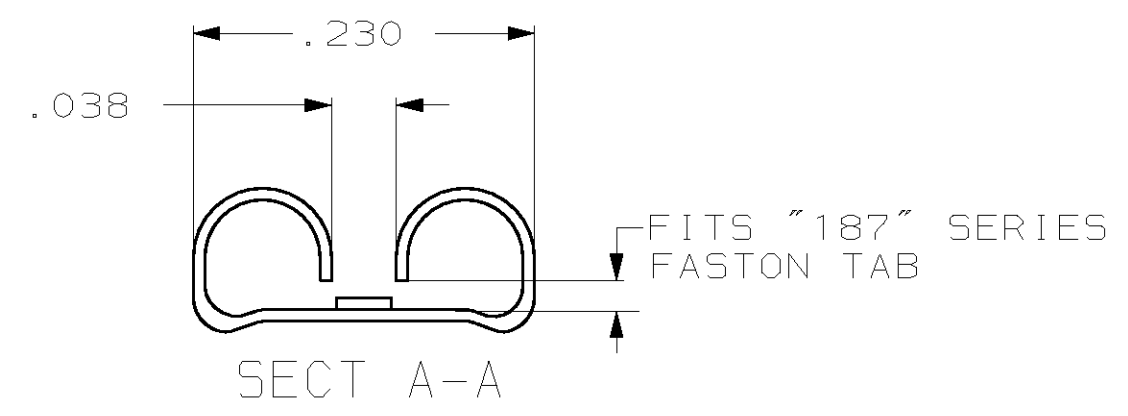
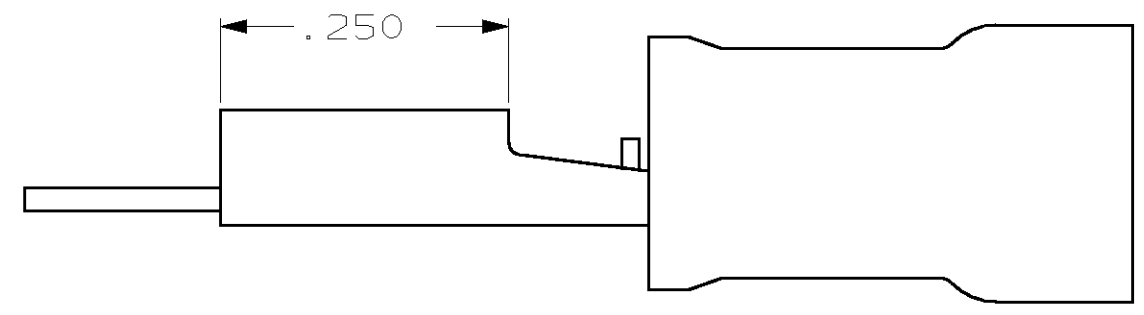


THIS DRAWING IS UNPUBLISHED. RELEASED FOR PUBLICATION ,19 .
 © COPYRIGHT 19 BY AMP INCORPORATED. ALL RIGHTS RESERVED.

LOC		DIST		REVISIONS			
P	LTR	DESCRIPTION		DATE	DWN	APVD	
G	14	H		REV PER 0G3A-0649-01	03DEC01	JR	TM



- 1. INSULATION DIA .135 MAX
- 2. FITS TAB .020 THK



-	-	640916-1
QTY	PACKAGE TYPE	PART NO

AMP INCORPORATED
CUSTOMER SERVICE SYSTEM

FOR ADDITIONAL PRODUCT INFORMATION OR COPIES OF DRAWINGS AND TECHNICAL DOCUMENTS	PRODUCT INFORMATION CENTER 1-800-522-6752
FOR APPLICATION TOOLING INFORMATION	TOOLING ASSISTANCE CENTER 1-800-722-1111
FOR ORDER ENTRY	1-800-526-5142

MAX RECOMMENDED OPERATING TEMPERATURE:
-

VOLTAGE RATING:
-

CIRCULAR MIL AREA:
-

THIS DRAWING IS A CONTROLLED DOCUMENT FOR AMP INCORPORATED. IT IS SUBJECT TO CHANGE AND THE CONTROLLING ENGINEERING ORGANIZATION SHOULD BE CONTACTED FOR THE LATEST REVISION.

DIMENSIONS, INCHES	TOLERANCES UNLESS OTHERWISE SPECIFIED:
	0 PLC ±-
	1 PLC ±-
	2 PLC ±0.38 [.015]
	3 PLC ±-
	4 PLC ±-
	ANGLES ±-

MATERIAL: BODY, BRASS .016
 SLV, NYLON, COLOR, RED

FINISH: BODY, TIN

DWN	L OLMEDA	26 JUN 95
CHK	M ELLIS	26 JUN 95
APVD	B BARE	26 JUN 95
PRODUCT SPEC	-	-
APPLICATION SPEC	-	-
WEIGHT	-	-

CUSTOMER DRAWING

AMP AMP Incorporated
 Harrisburg, PA 17105-3608

NAME: RECEPTACLE, 187 SERIES, FASTON™, PIDG™, WIRE SIZE, 22-18 AWG

SIZE	CAGE CODE	DRAWING NO
A3	00779	C-640916

SCALE: NT5 SHEET: 1 OF 1 REV: H